

CONTRACTOR SERIES

T372P and T371N

The PECO T372P and T371N Thermostat provides cooling and heating operation for air conditioning, gas, oil, or electric furnace operation. It will also control heat pumps not requiring aux or emergency heat. This control features a large blue LCD display, Fan On-Auto switching and system selection of heat or cool. An easy change battery door is located on the front panel. The wall plate includes a level for easy mounting.



T372P Programmable

Overview

1 Heat / 1 Cool	Programmable or Non-Programmable
Adjustable Differential	Separate Heating and Cooling Adjustment
Millivolt Compatible	Terminals: Rc, Rh, C, W, Y, G, B, O
5 Minute Compressor Delay	AAA Battery or 24v Hardwire

Applications Guide

Gas or Oil Heat	Yes	Heat Only System - Floor or Wall Furnace	Yes
Electric Furnace	Yes	Heat Pump NO Aux. or Emergency Heat	Yes
Cool Only Systems	Yes	Heat Pump (with Aux. or Emergency Heat	No
Heat Only System	Yes	Multi-Stage Systems	No
Millivolt	Yes		



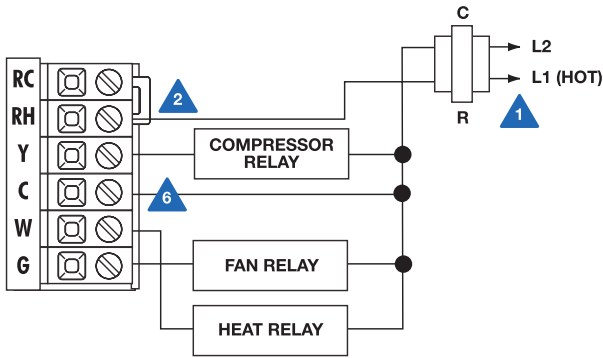
T371N Non-Programmable

Get Started Today

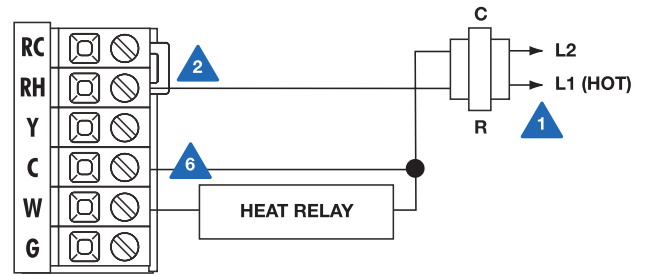
For additional details, please contact PECO Control Systems.
 11241 SE Highway 212 Clackamas, OR 97015 503-387-6410 Controls@astronics.com



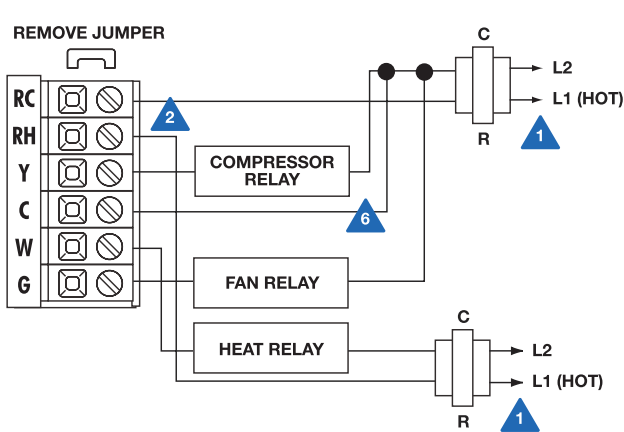
Typical 1H/1C system: 1 transformer



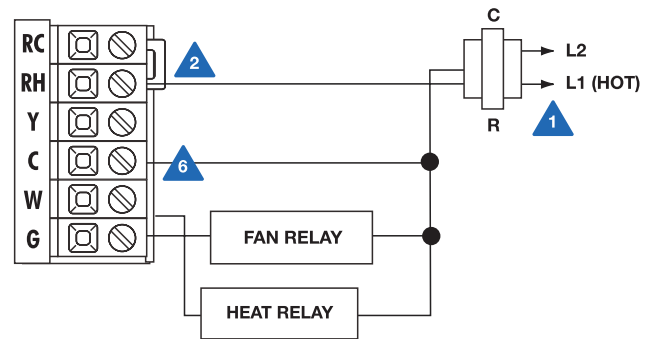
Typical heat-only system



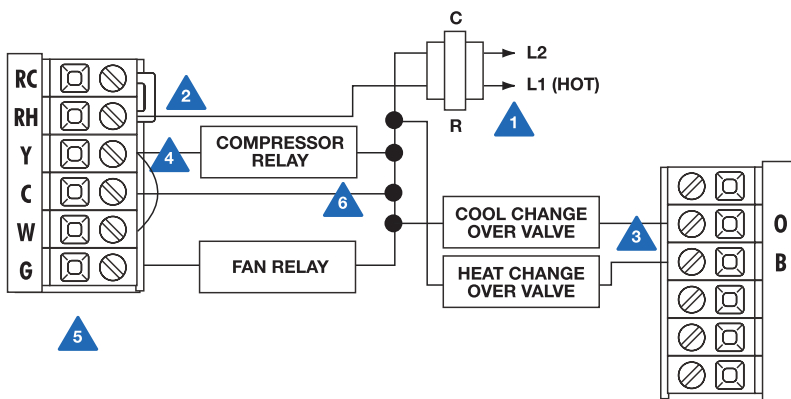
Typical 1H/1C system: 2 transformer



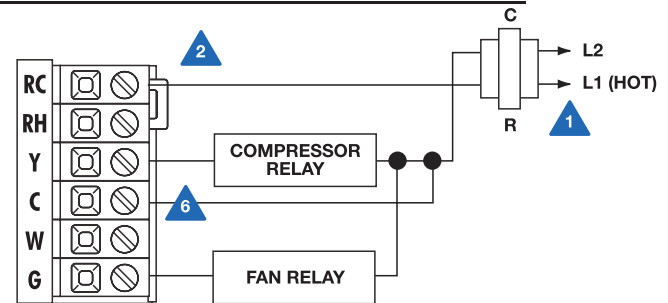
Typical heat-only system with fan



Typical 1H/1C heat pump system



Typical cool-only system



- ▲ 1 Power supply
- ▲ 2 Factory-installed jumper. Remove only when installing on 2-transformer systems.
- ▲ 3 Use either O or B terminals for changeover valve
- ▲ 4 Use a small piece of wire (not supplied) to connect W and Y terminals
- ▲ 5 Set fan operation switch to electric
- ▲ 6 Optional 24 VAC common connection when thermostat is used in battery power mode

Specifications

Display range of temp.	41°F to 95°F (5°C to 35°C)
Control range of temp.	44°F to 90°F (7°C to 32°C)
Load rating	1 amp per terminal, 1.5 amp maximum all terminals combined
Display accuracy	± 1°F
Differential	Adjustable from 0.2°F to 2.0°F
Power source	18 to 30 VAC, NEC Class II, 50/60 Hz for hardwire (common wire) AAA Battery
Operation ambient	32° to +105° (0° to +41°C)
Operating Humidity	90% non-condensing maximum
Dim. of Thermostat	4.72"W X 3.86"H X 0.98"0